

Date Issued:

•Expires After 90 Days



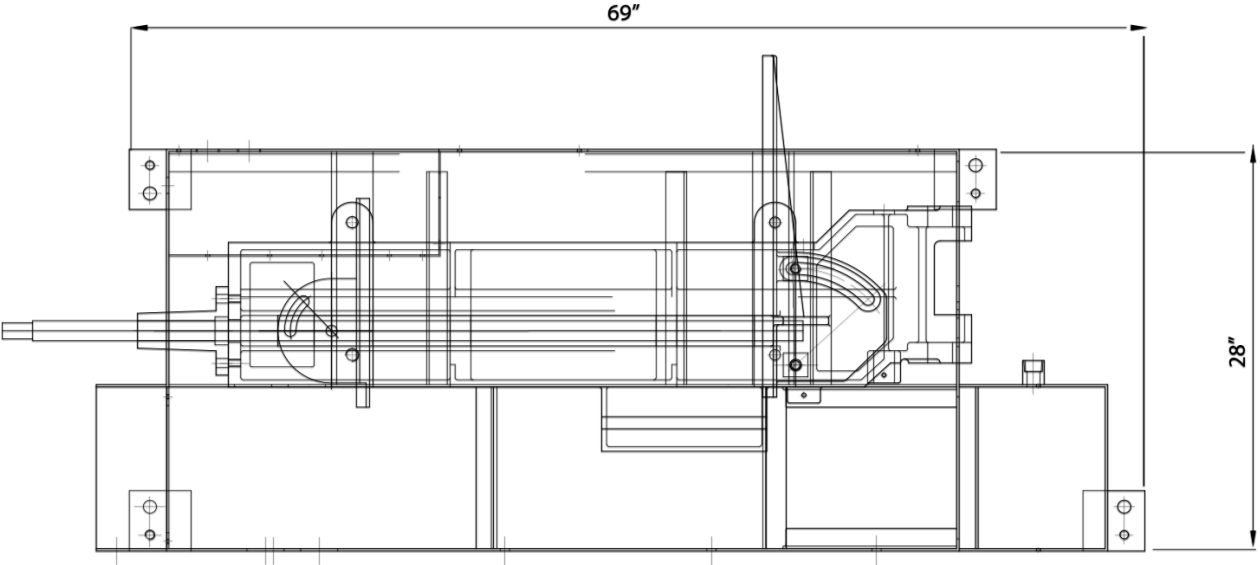
COSEN MH-1018JA

Manual Horizontal
Scissor Style Band Saw

Dealer:
Address:
State:
Zip:
Phone:
Email:

End-User:
Address:
State:
Zip:
Contact Name:

The MH-1018JA comes equipped with a manual vise and adjustable hydraulic down feed. It is an ideal band saw for the small to medium machine shop, maintenance shop, metal fabricating shop, school, and for limited run production work. It is a great machine for cutting square, round, and rectangular solids, as well as tubing material. Its solid construction ensures many years of reliability and accuracy at a high level of performance.



Control System:

The operator's control panel is clearly arranged and centrally located on top of the saw head at chest level which makes it convenient and user friendly. All operator controls are positioned on the top of the control box and clearly labeled for ease of operation. The electrical components are located inside the control box with the main lockout disconnect on the front of the control box for safety and easy maintenance.

Machine Features:

- Hydraulic cylinder plus precision ground hinge support
- Step pulley drive
- Adjustable flood coolant system
- Hardened worm gear for durability
- Carbide blade guides and bearing provides additional blade support
- Rigid cast-iron guide arms
- Cast-iron vise
- Vises can rotate to allow a 45 degree cut
- Blade cleaning chip brush
- Adjustable down-feed control

Machine Specifications:

Maximum Cutting Capacity	Round Capacity	10"
	Square Capacity	9.1" x 9.1"
Blade	Rectangle (H x W)	90°: 9" x 16.5" 45°: 9" x 10"
	Size	11' x 1" x .035"
Motor	Speed	60Hz: 75, 121, 190, 305 FPM
	Saw Blade	2 HP
	Coolant	1/8 HP
Auto. Material Feed System	Job Storage	NA
<i>(Not Available on Manual Saws)</i>	Single Index Stroke	NA
Weight	Multiple Stroke Indexing	NA
		950 LBS
Power		230V, 3 PH 60Hz, 460V 3PH 60Hz (optional)
Floor Space		68" x 29" x 41"
Work Bed Height		25.6

**Please note that machine design and specs can change without notice*

Max AMP Draw - 230V - 6.25
460V - 3.13